

G-RAIL 1050 Bolted Rail Clips

TECHNICAL SPECIFICATIONS


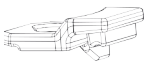


- Max side load 120 kN
- Lateral adjustment 14 mm
- Bolt M16 Grade 8.8
- Tightening Torque 175 Nm
- Steel Quality St52-3

CLIPS NO	X	C	W	N	Weight (Kg)
G-RAIL 1050/24/6	15	24	45	6	0,690
G-RAIL 1050/24/9	15	24	45	9	0,700
G-RAIL 1050/24/15	15	24	45	15	0,710
G-RAIL 1050/24/19	15	24	45	19	0,720
G-RAIL 1050/27/6	18	27	48	6	0,715
G-RAIL 1050/27/9	18	27	48	9	0,735
G-RAIL 1050/27/15	18	27	48	15	0,750
G-RAIL 1050/27/19	18	27	48	19	0,765

MAIN FEATURES

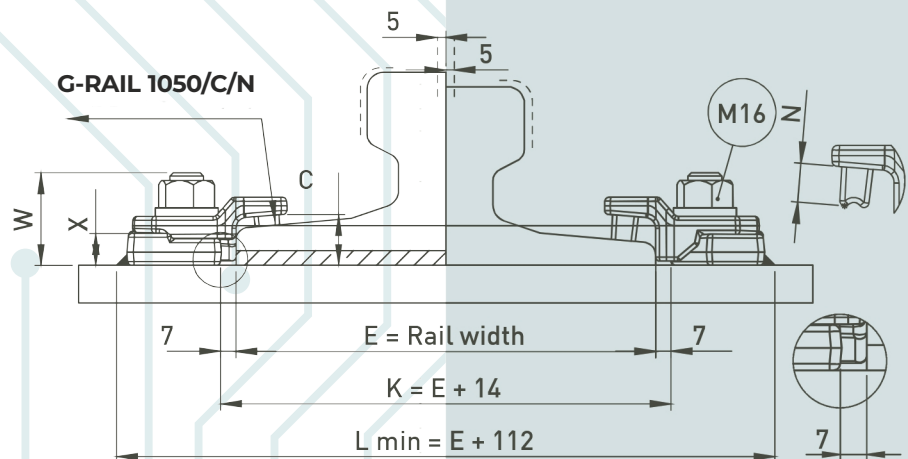
1. G-RAIL 1050 welded rail clips, which are produced from 2 forged parts as upper and lower enables ease of assembly thanks to its special desing.
2. The clips can preferred for rails with or without pads.
3. The two main parts are locked together with special bolt.
4. The rubber nose increases the tolerances of the rail support structures, reduces the stress of the connections, allows a better fixing of the rail.

COMPONENTS

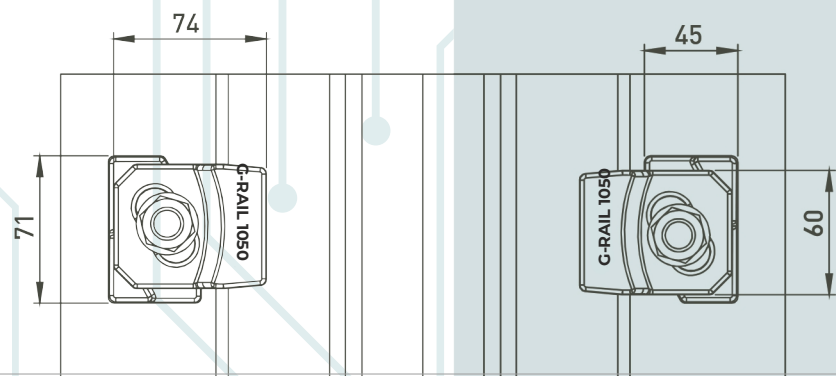
- 
- ① Nut and washer M16
- 
- ② Upper clip with rubber nose
- 
- ③ Special bolt M16
- 
- ④ Weldable lower clip

Flange nut can also be used on request.
Please consult us for using flange nut.

1 RAIL WITH PAD

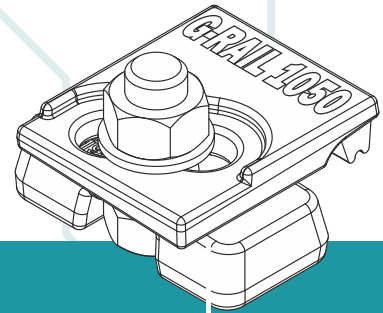


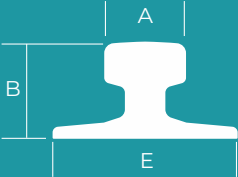
2 RAIL WITHOUT PAD



1050

G-RAIL 1050 Bolted Rail Clips



	A	B	E	Weight kg/m	Without Pad	With Pad
A45	45	55	125	22,1	1050	1050 P
A55	55	65	150	31,8	1050	1050 P
A65	65	75	175	43,1	1050	1050 P
A75	75	85	200	56,2	1050	1050 P
CR 105	65,1	131,8	131,8	52,09	1050	1050 P
CR 135	76,2	146	131,8	66,97	1050	1050 P
S 24	53	115	90	24,43	1050	1050 P
S 26 (AFNOR 26)	50	110	10	26,27	1050	1050 P
25 kg/m	50	115	90	25	1050	1050 P
27 E1 (27 UNI)	50	120	95	27,06	1050	1050 P
AFNOR 30	56	125,5	106	29,98	1050	1050 P
30 E1 (S 30)	60,3	108	108	30,13	1050	1050 P
33 E1 (S 33)	58	134	105	33,47	1050	1050 P
36 E1 (36 UNI)	60	130	100	36,26	1050	1050 P
40 E1 (S41-R14)	67	138	125	40,95	1050	1050 P
46 E4	65	145	135	46,9	1050	1050 P
49 E1	67	149	125	49,39	1050	1050 P
54 E1	70	159	140	54,77	1050	1050 P
60	72	172	150	60,21	1050	1050 P

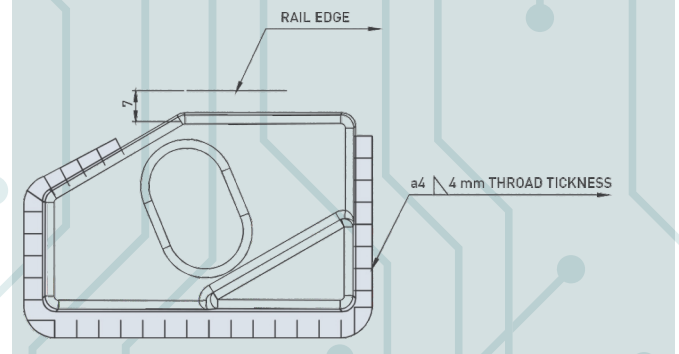
MORE TYPE OF RAILS THEN LISTED ABOVE CAN BE USED WITH THIS TYPE OF CLIP

INSTALLATION INSTRUCTIONS:

Weld all round the clip base, except the side closest and parallel to the rail with a 4 mm throat thickness fillet weld, using low hydrogen electrodes. Recommended electrodes AWS E7018 or E7028. Clip base is made from weldable grade steel. Please consult us for continuous welding requirement.

ELEKTRODE
 AWS A5.11-04 E7018-1
 EN ISO 2560-A E42 4 B42 H5
 CE EN13479
 ROD
 AWS A5.18 ER70S-6:SG3
 EN ISO 1668 W 4Si1:SG3
 WELD DETAIL
 RAIL EDGE
 a4 4 mm THROAT THICKNESS
 105/5358
 G-RAIL 1050 Welded Rail Clips

WELD DETAIL



G-RAIL NO DOUBT ABOUT CRANE RAILS AND FASTENING SYSTEM



Przedstawiciel handlowy w Polsce:

DETRANS
 ul. Damrota 2
 41-800 Zabrze,
 NIP: 6482772915

Jacek Kohn
 Telefon: +48 511 973 972
 E-mail: j.kohn@detrans.pl

