

TECHNICAL SPECIFICATIONS

- Max side load 90 kN
- Lateral adjustment 16 mm
- Bolt M20 Grade 8.8
- Tightening Torque 400 Nm
- Steel Quality St52-3

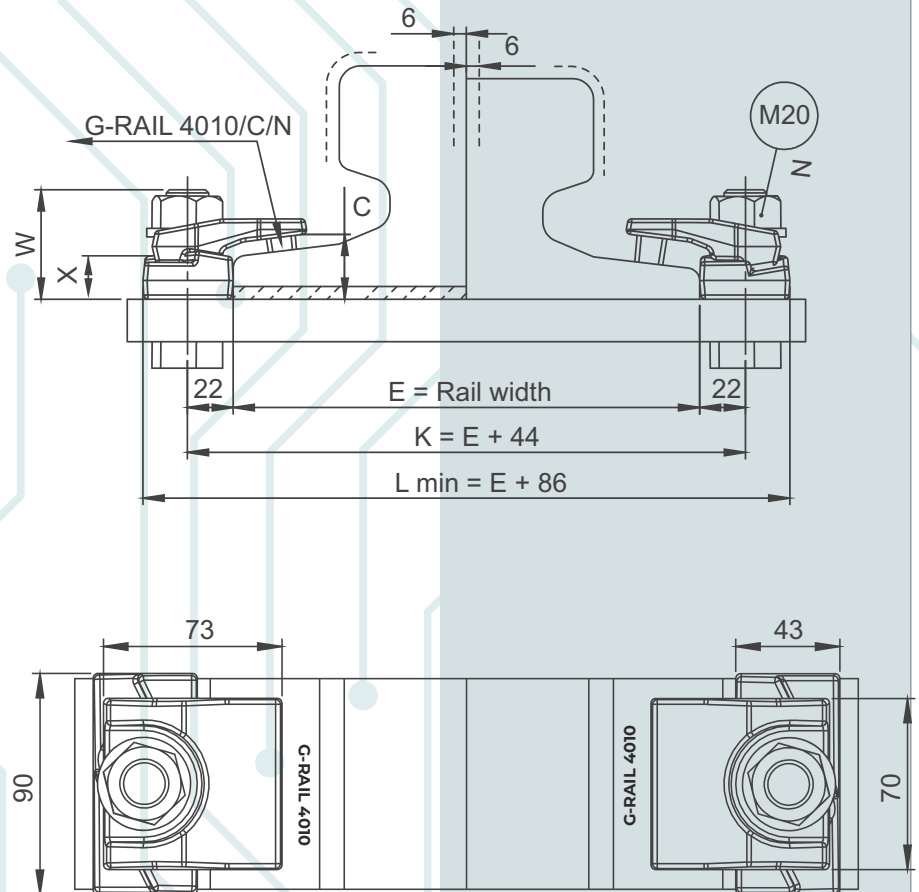
CLIPS NO	X	C	W	N	Weight (Kg)
G-RAIL 4010	18	30	52	20	0,800
G-RAIL 4010 P	18	30	52	14	0,790

MAIN FEATURES

1. G-RAIL 4010 bolted rail clip, which is produced from a forged part, enables ease of assembly thanks to its special desing.
2. The clips can preferred for rails with or without pads.
3. The main part is locked to rail with special bolt.
4. The rubber nose increases the tolerances of the rail support structures, reduces the stress of the connections, allows a better fixing of the rail.

1 RAIL WITH PAD

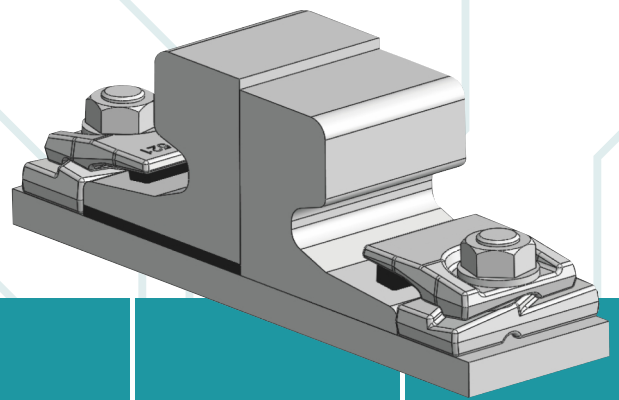
2 RAIL WITHOUT PAD

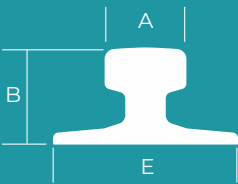


**Flange nut can also be used on request.
Please consult us for using flange nut.**

4010

G-RAIL 4010 Bolted Rail Clips



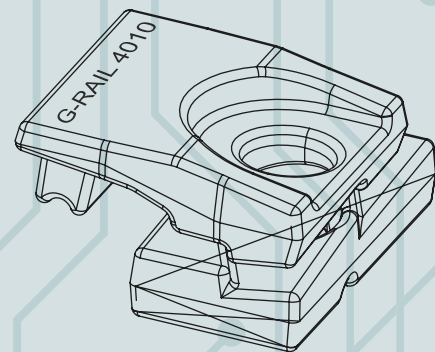
	A	B	E	Weight kg/m	Without Pad	With Pad
A65	65	75	175	43,1	4010	4010 P
A75	75	85	200	56,2	4010	4010 P
A100	100	95	200	74,3	4010	4010 P
A120	120	105	220	100	4010	4010 P
A150	150	150	220	150,3	4010	4010 P
CR 104	63,5	127	127	51,59	4010	4010 P
CR 105	65,1	131,8	131,8	52,09	4010	4010 P
CR 135	76,2	146	131,8	66,97	4010	4010 P
CR 171	101,6	152,4	152,4	84,83	4010	4010 P
CR 175	102,4	152,4	152,4	86,8	4010	4010 P
MRS 87 A	101,6	152,4	152,4	86,8	4010	4010 P
MRS 125	120	180	180	125	4010	4010 P
36 E1	60	130	100	36,26	4010	4010 P
40 E1	67	138	125	40,95	4010	4010 P
46 E4	65	145	135	46,39	4010	4010 P
49 E1	67	149	125	49,39	4010	4010 P
50 ES	67	148	135	49,9	4010	4010 P
54 E1	70	159	140	54,77	4010	4010 P
60 E1	72	172	150	60,21	4010	4010 P

CLIP CAN BE USED WITH MORE TYPE OF RAILS THAN THOSE LISTED.

INSTALLATION INSTRUCTIONS:

The main component is first positioned on the bolt against the rail and the special washer is then positioned on the main component. The nut is hand tightened. Hammer is used for tighter contact. The main component is in position, use an electrical or pneumatic wrench to torque the nut. Please contact G-RAIL for full installation instructions.

WELD DETAIL



G-RAIL NO DOUBT ABOUT CRANE RAILS AND FASTENING SYSTEM



Przedstawiciel handlowy w Polsce:

DETRANS
ul. Damrota 2
41-800 Zabrze,
NIP: 6482772915

Jacek Kohn
Telefon: +48 511 973 972
E-mail: j.kohn@detrans.pl

