

TECHNICAL SPECIFICATIONS


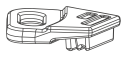

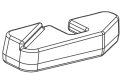
- Max side load 75 kN
- Lateral adjustment 10 mm
- Bolt M12 Grade 8.8
- Tightening Torque 75 Nm
- Steel Quality St52-3

CLIPS NO	X	C	W	N	Weight (Kg)
BEKET K12K/26/12	21	26	43	12	0,455
BEKET K12/34/12	21	34	43	12	0,475
BEKET K12/34/16	21	34	43	16	0,485

MAIN FEATURES

1. G-RAIL 6020 welded rail clips, which are produced from 2 forged parts as upper and lower enables ease of assembly thanks to its special desing.
2. The clips can preferred for rails with or without pads.
3. The two main parts are locked together with special bolt.
4. The rubber nose increases the tolerances of the rail support structures, reduces the stress of the connections, allows a better fixing of the rails a better fixing of the rail.

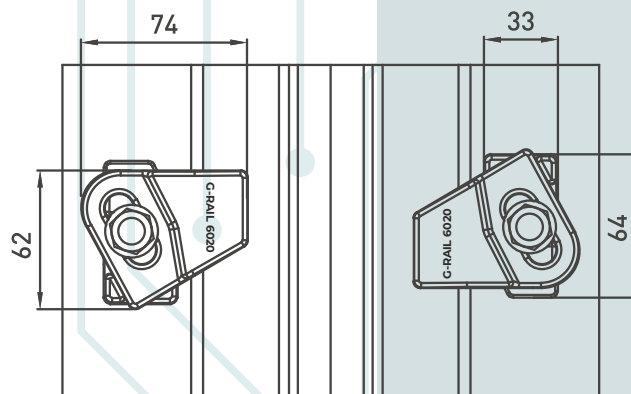
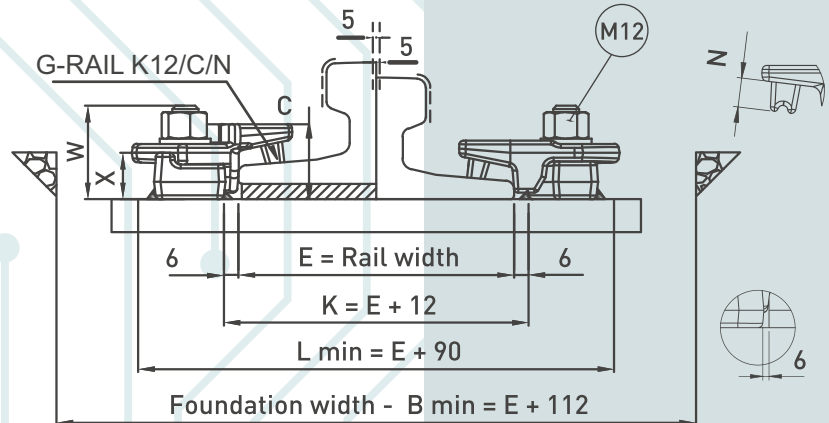
COMPONENTS

-  ① Nut and washer M12
-  ② Upper clip with rubber nose
-  ③ Special bolt M12
-  ④ Weldable lower part

Flange nut can also be used on request. Please consult us for using flange nut.

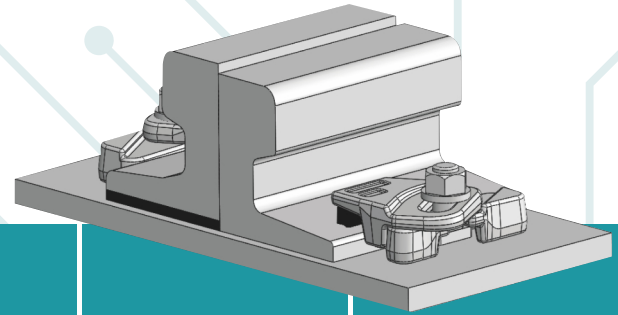
1 RAIL WITH PAD

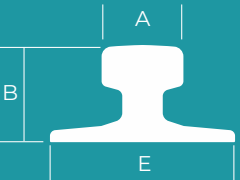
2 RAIL WITHOUT PAD



# 6020

## G-RAIL 6020 Welded Rail Clips



	A	B	E	Without Pad	With Pad
	A45	45	55	125	K12 K/26/12
A55	55	65	150	K12 K/26/12	K12 /34/12
A65	65	75	175	K12 K/26/12	K12 /34/12
A75	75	85	200	K12 K/26/12	K12 /34/12
S20	44	100	82	K12 K/26/12	K12 /34/12
S24	53	115	90	K12 K/26/12	K12 /34/16
S30	60,3	108	108	K12 K/26/12	K12 /34/12
S31	56	125	106	K12 K/26/12	K12 /34/16
S33	68	134	105	K12 K/26/12	K12 /34/12
S41A	67	138	125	K12 K/26/12	K12 /34/12
S49	67	149	125	K12 K/26/12	K12 /34/12
UIC 54	70	159	140	K12 K/26/12	K12 /34/12
UIC60	72	172	150	K12 K/26/12	K12 /34/12
39E1	72	133,4	117,5	K12 K/26/12	K12 /34/12
P24	73	107	92	K12 K/26/12	K12 /34/16
P43	70	140	114	K12 /34/16	K12 /34/12
ASCE60	60,3	108	108	K12 K/26/12	K12 /34/12
ASCE80	63,5	127	127	K12 K/26/12	K12 /34/12
ASCE85	65,1	131,8	131,8	K12 K/26/12	K12 /34/12

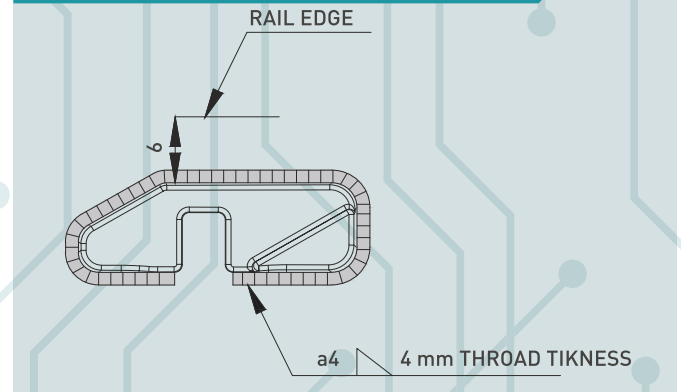
CLIP CAN BE WITH MORE TYPE OF RAILS THAN THOSE LISTED .

### INSTALLATION INSTRUCTIONS:

Weld all round the clip base, except the side closest and parallel to the rail with 4 mm throat thickness fillet weld, using low hydrogen electrodes. Recommended electrodes AWS E7018 or E7028. Clip base is made from weldable grade steel. Please consult us for continuous welding requirement.

ELEKTRODE  
AWS A5.11-04 E7018-1  
EN ISO 2560-A E42 4 B42 H5  
CE EN 13479  
ROD  
AWS A5.18 ER 70S-6: SG3  
EN ISO 1668 W 4Si1: SG3

### WELD DETAIL



## G-RAIL NO DOUBT ABOUT CRANE RAILS AND FASTENING SYSTEM



Przedstawiciel handlowy w Polsce:

DETRANS  
ul. Damrota 2  
41-800 Zabrze,  
NIP: 64-82772915

Jacek Kohn  
Telefon: +48 511 973 972  
E-mail: j.kohn@detrans.pl

